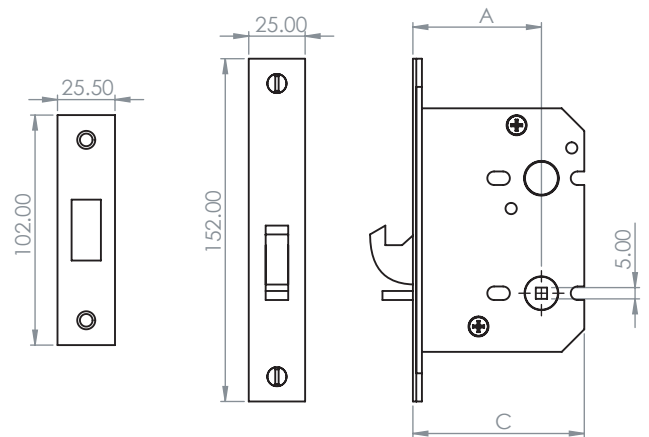




SLD-LOCK CLAW

Sliding hookbolt lock for use on wooden sliding doors. CE Marked door lock Fire rated to BS EN 1634-1:2000 & Performance rated to BS EN 12209. Bolt operated by turn from either side. Supplied with striker plate and fixing screws.

5mm wc square spindle



| CODE | A | B | C |
|------------------|----|----|----|
| SLD-LOCK-HOOK-57 | 57 | NA | 76 |