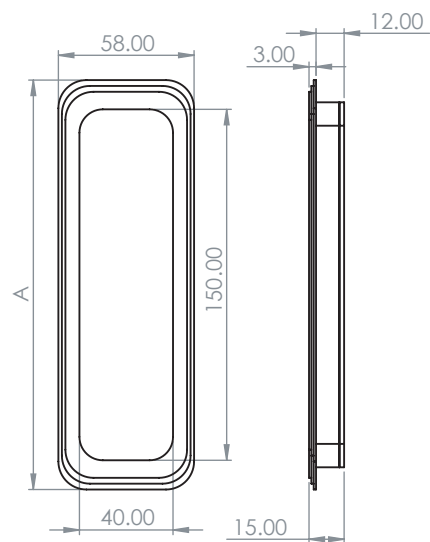


# Hard & Ware



**FP5**  
**FLUSH PULL HANDLE**  
**SOLID BRASS MATERIAL**  
**SCREW FIXED**



CODE	A
FP5-100	100MM
FP5-175	175MM
FP5-300	300MM